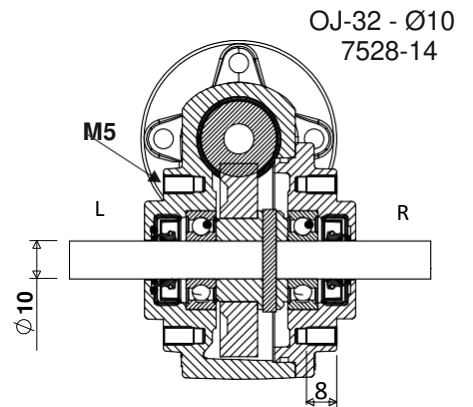
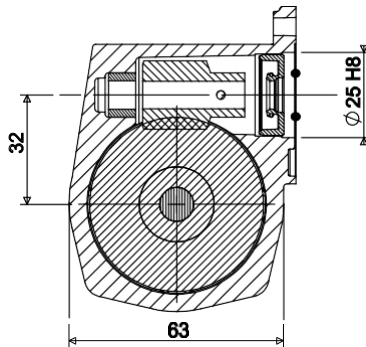
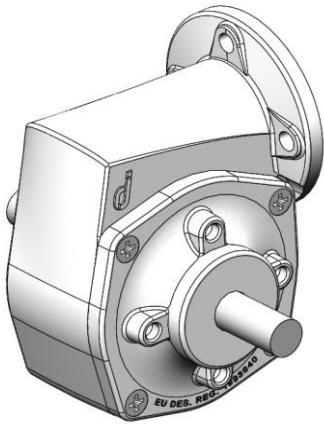
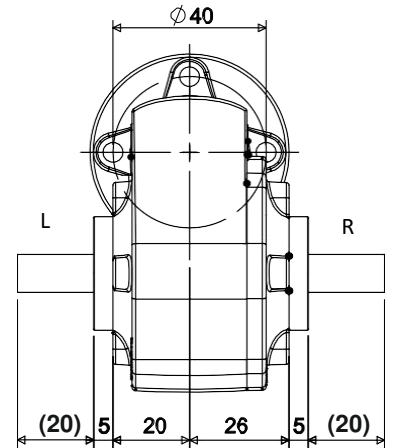
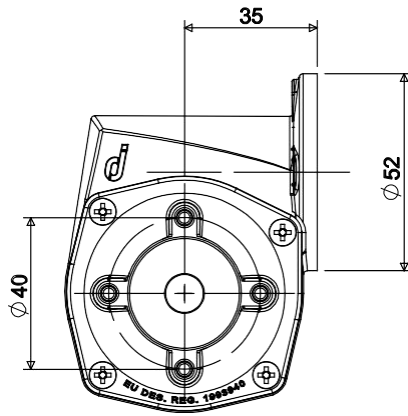
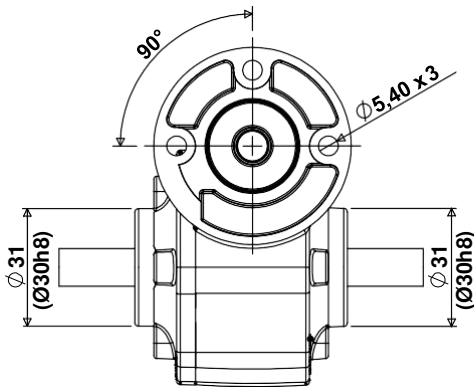


Wormgear OJ-32



Ratio R:1	7:1	10:1	20:1	30:1	40:1	50:1	60:1	69:1
Efficiency η	0,80	0,74	0,66	0,53	0,52	0,43	0,43	0,40

We stock 24 ratios from 7:1 to 77:1

TORQUE Nm	INPUT MOTOR	$Nm = \frac{WATT}{rpm \times 0,1047}$					
	OUTPUT WORM GEAR	$Nm = Nm (motor) \times R:1 \times \eta$					
Standard max 14 Nm Option 14 < Nm < 30							

STANDARD	OUTPUT SHAFT	$\varnothing 10 \times 20$	Milled flat	Key slot	R	L	RL
		$\varnothing 12 \times 20$	Milled flat	Key slot	R	L	RL
		$\varnothing 15 \times 20$	Milled flat	Key slot	R	L	RL
	FLANGE	$\varnothing 31$			R	L	RL
		$\varnothing 30h8$			R	L	RL
		M5 x 8			R	L	RL

OPTION	Customer designed output shaft, flange, ratio a.s.o						
	Please state operating conditions and special requirements for guidance from us.						

